



GLOBAL INDUSTRY



Lighting Solutions

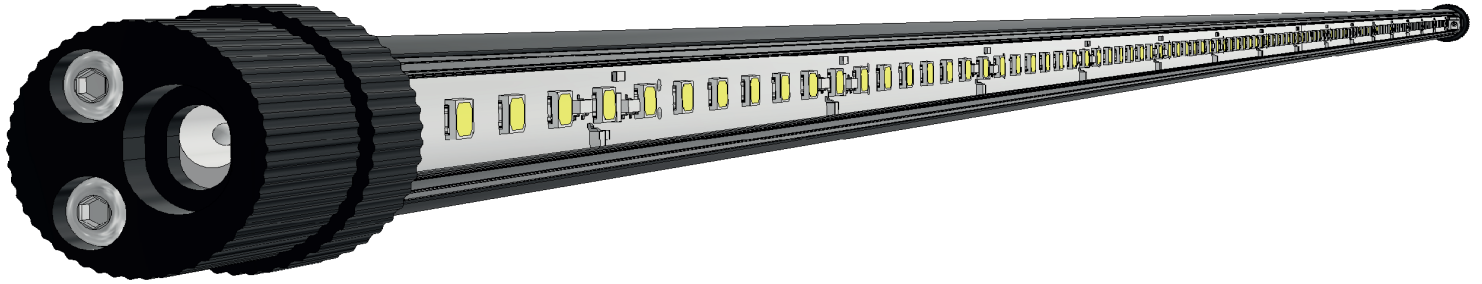
for Refrigerated Display Cabinets

Clarity Sells. Showcase the Difference
on Your Shelves.

*for single glass of showcases, refrigerated display cases, hot display cases,
self-service, neutral and non-food*

GLL LED Component

Dimensions and Power Ranges

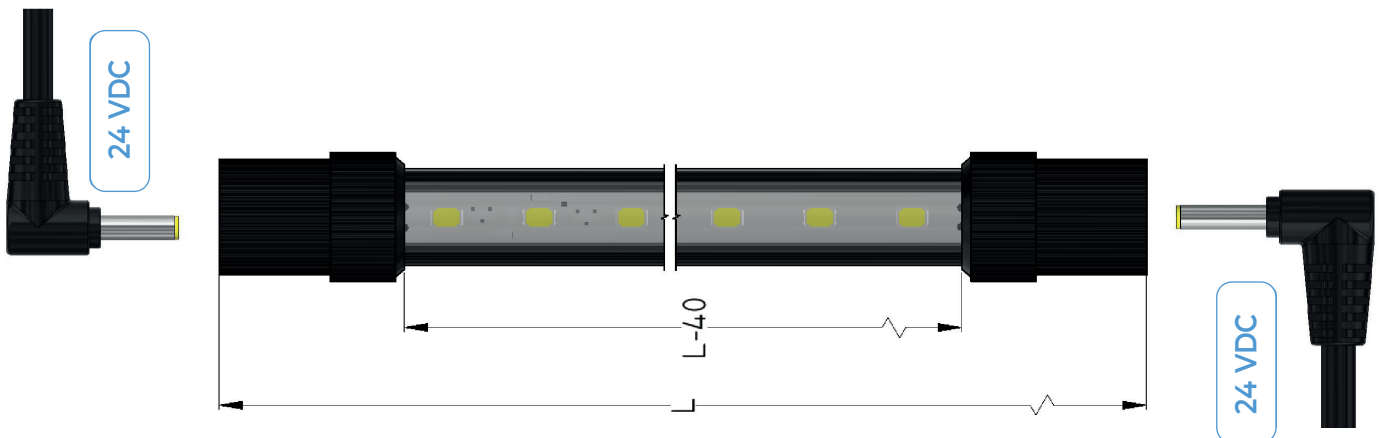


Rich variety of lengths

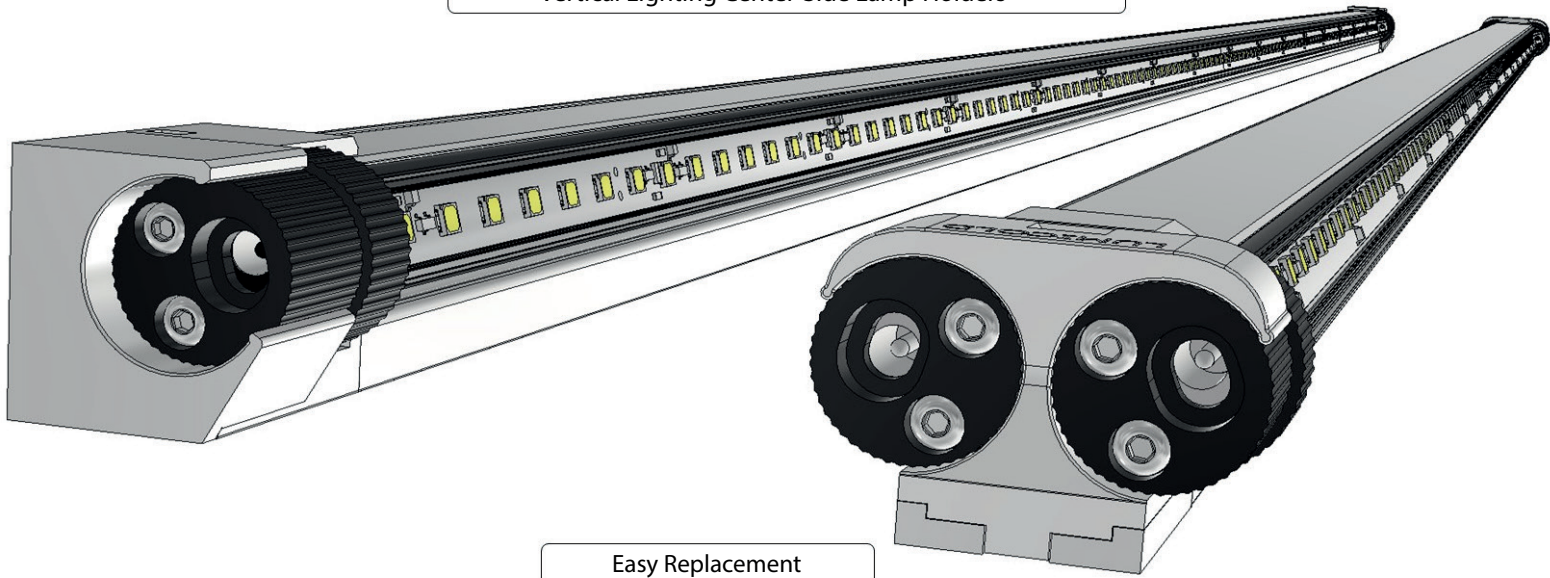
Superior Efficiency

135 Lumen/Watt

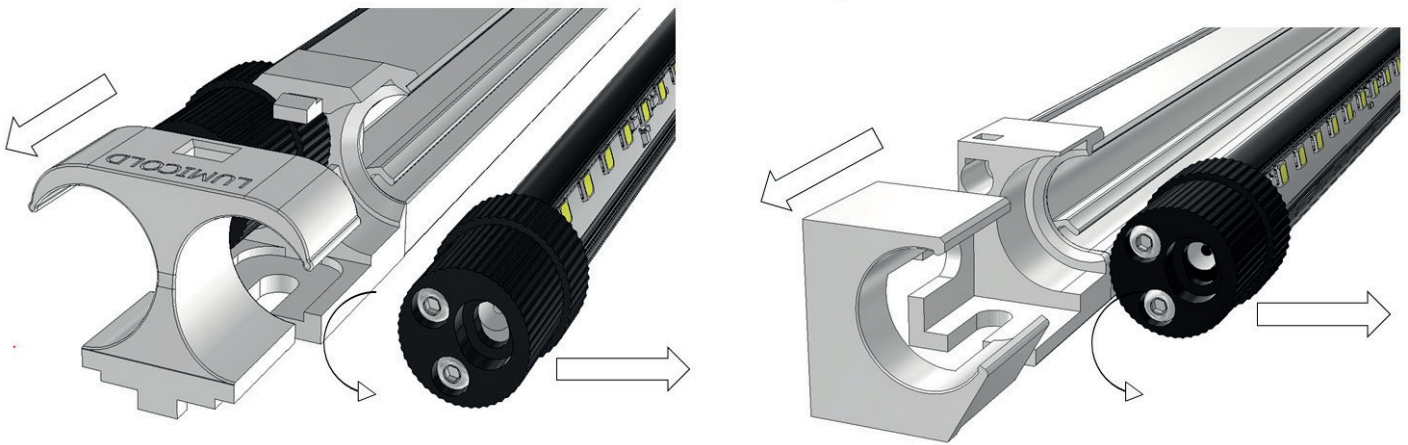
Length mm	VLPO 6.5 Watt/m			LPO 8 Watt/m			MPO 13 Watt/m			HPO 17 Watt/m		
	Watt	Lumen	Lumen / Watt	Watt	Lumen	Lumen / Watt	Watt	Lumen	Lumen / Watt	Watt	Lumen	Lumen / Watt
250	1.4	241	150	1.7	241	143	2.8	385	137.0	3.8	506.2	135.0
320	1.9	321	150	2.3	321	143	3.8	514	137.0	5.0	674.9	135.0
390	2.3	401	150	2.8	401	143	4.7	642	137.0	6.3	843.6	135.0
460	2.8	481	150	3.4	481	143	5.6	771	137.0	7.5	1012.4	135.0
530	3.3	561	150	3.9	561	143	6.6	899	137.0	8.8	1181.1	135.0
600	3.8	641	150	4.5	641	143	7.5	1028	137.0	10.0	1349.8	135.0
670	4.2	722	150	5.1	722	143	8.4	1156	137.0	11.3	1518.6	135.0
740	4.7	802	150	5.6	802	143	9.4	1285	137.0	12.5	1687.3	135.0
810	5.2	882	150	6.2	882	143	10.3	1413	137.0	13.8	1856.0	135.0
880	5.6	962	150	6.8	962	143	11.3	1542	137.0	15.0	2024.7	135.0
950	6.1	1042	150	7.3	1042	143	12.2	1670	137.0	16.3	2193.5	135.0
1020	6.6	1122	150	7.9	1122	143	13.1	1799	137.0	17.5	2362.2	135.0
1090	7.0	1203	150	8.4	1203	143	14.1	1927	137.0	18.8	2530.9	135.0
1160	7.5	1090	150	9.0	1283	143	15.0	2056	137.0	20.0	2699.6	135.0
1230	8.0	1363	150	9.6	1363	143	15.9	2184	137.0	21.3	2868.4	135.0
1300	8.4	1443	150	10.1	1443	143	16.9	2313	137.0	22.5	3037.1	135.0
1370	8.9	1523	150	10.7	1523	143	17.8	2441	137.0	23.8	3205.8	135.0
1440	9.4	1604	150	11.3	1604	143	18.8	2570	137.0	25.0	3374.6	135.0
1510	9.8	1684	150	11.8	1684	143	19.7	2698	137.0	26.3	3543.3	135.0
1580	10.3	1764	150	12.4	1764	143	20.6	2827	137.0	27.5	3712.0	135.0



Vertical Lighting Center-Side Lamp Holders

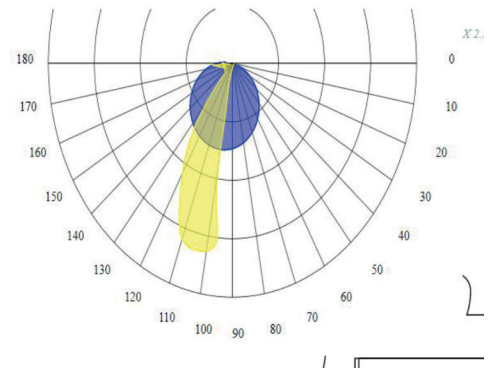
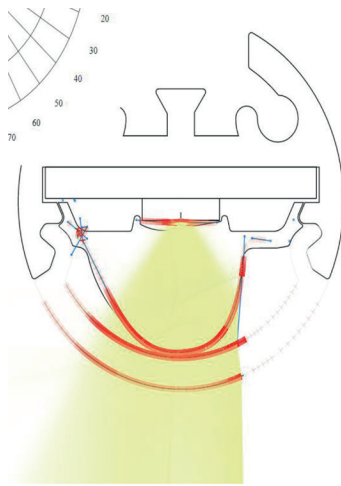


Easy Replacement



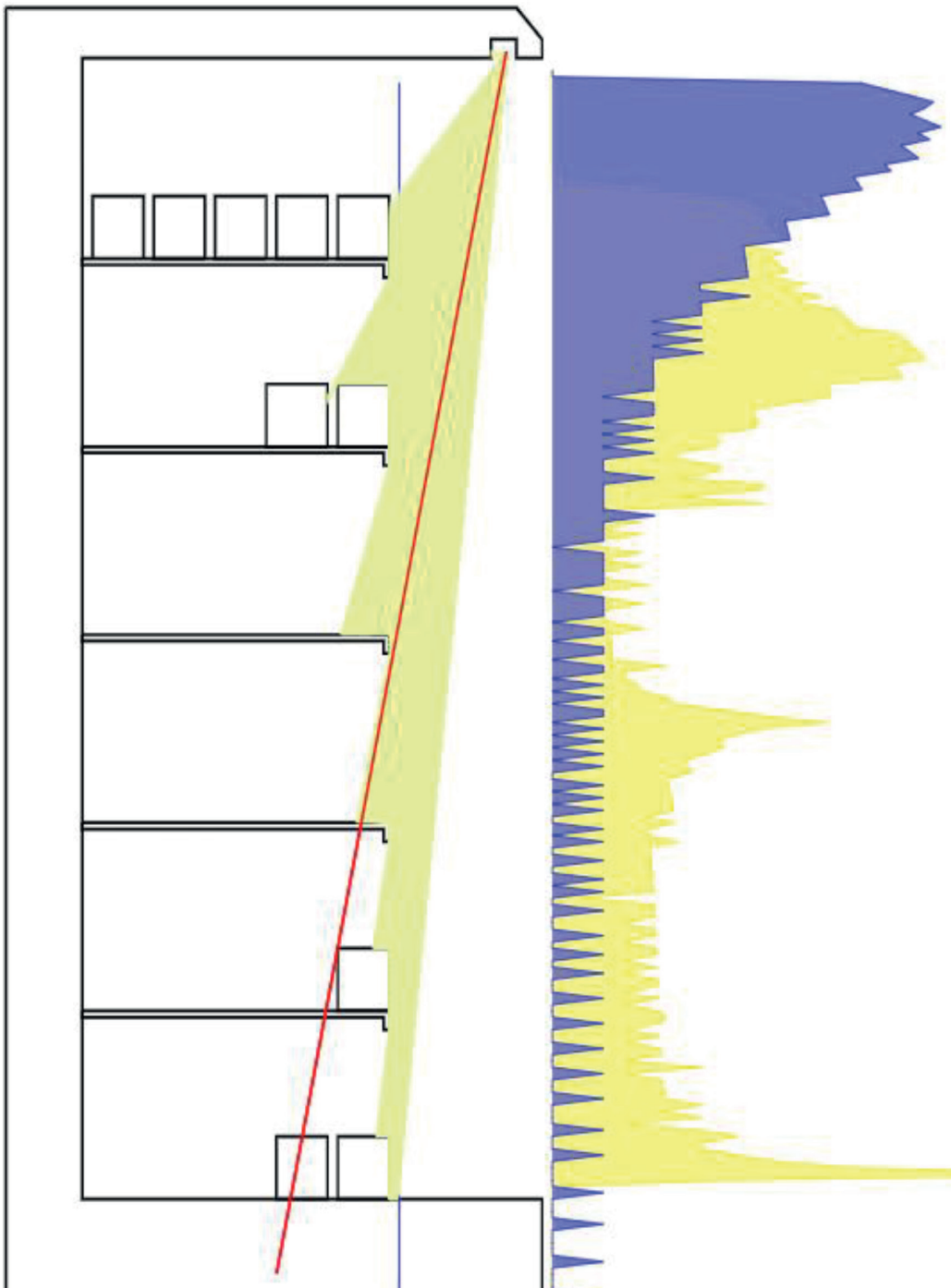
GLL

Lens Types



Without Lens

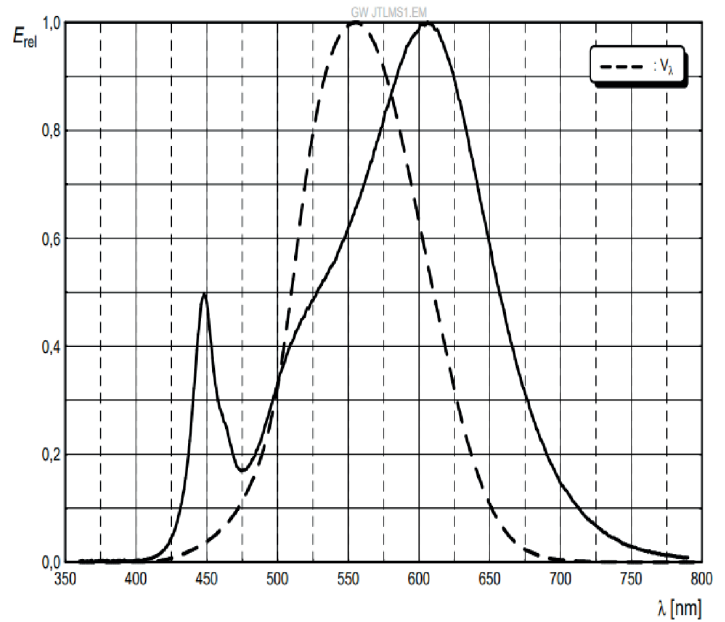
With Lens



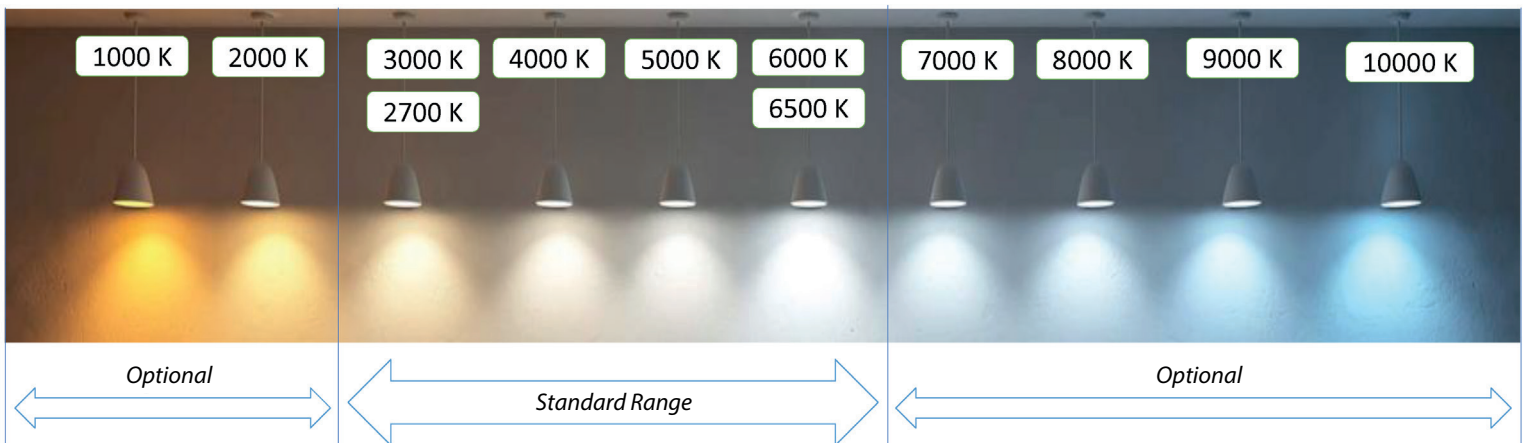
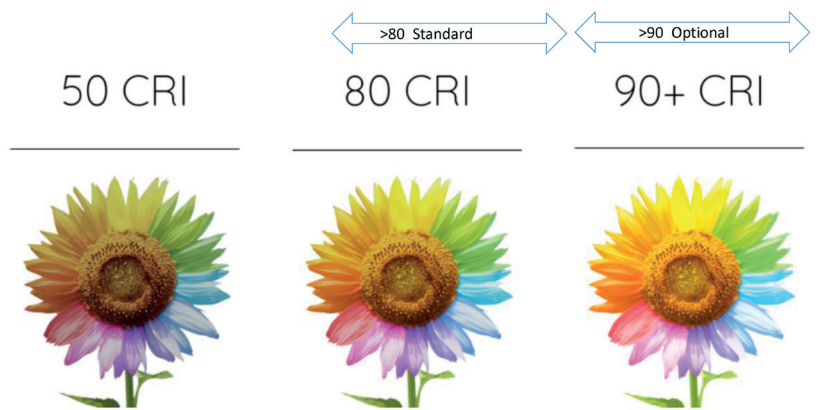
- Application Types**
- CC: Chiller Canopy
 - US: Under Shelf
 - CV: Chiller Vertical
 - FV: Frozen Vertical
 - FH: Frozen Horizontal
 - SO: Serve Over
 - CX: Customized

GLL LED Component

Color Temperatures & Color Rendering Index

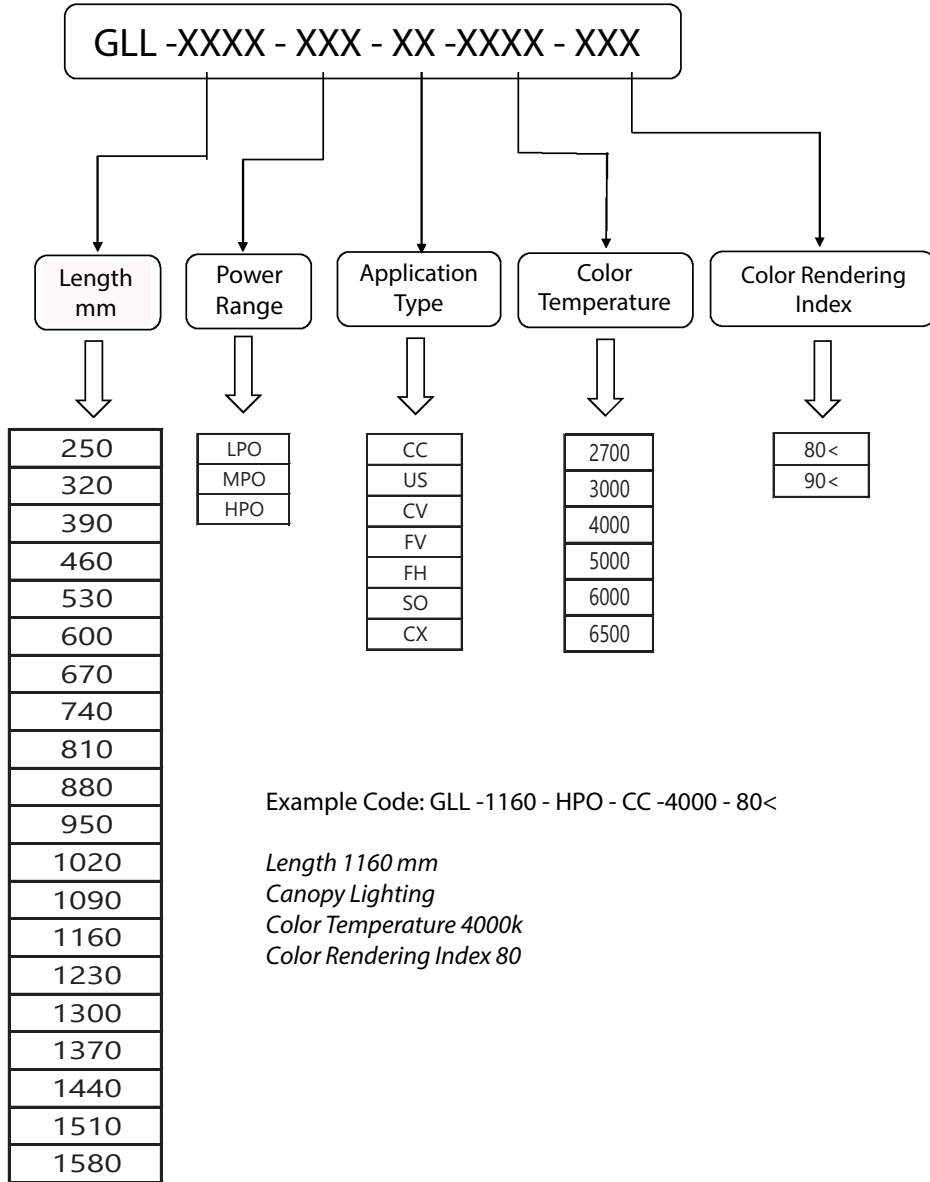


Led Cell Relative Spectral Emission

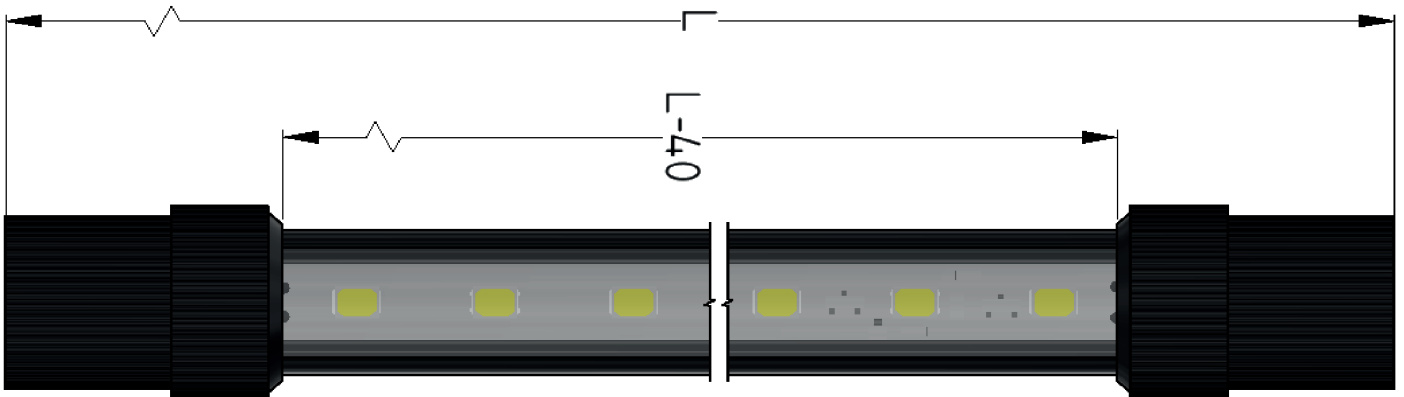


GLL LED Component

Ordering Codes



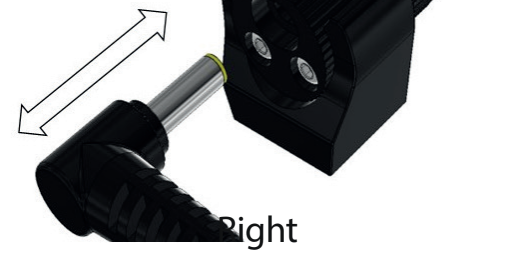
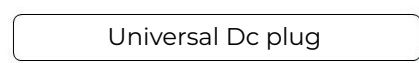
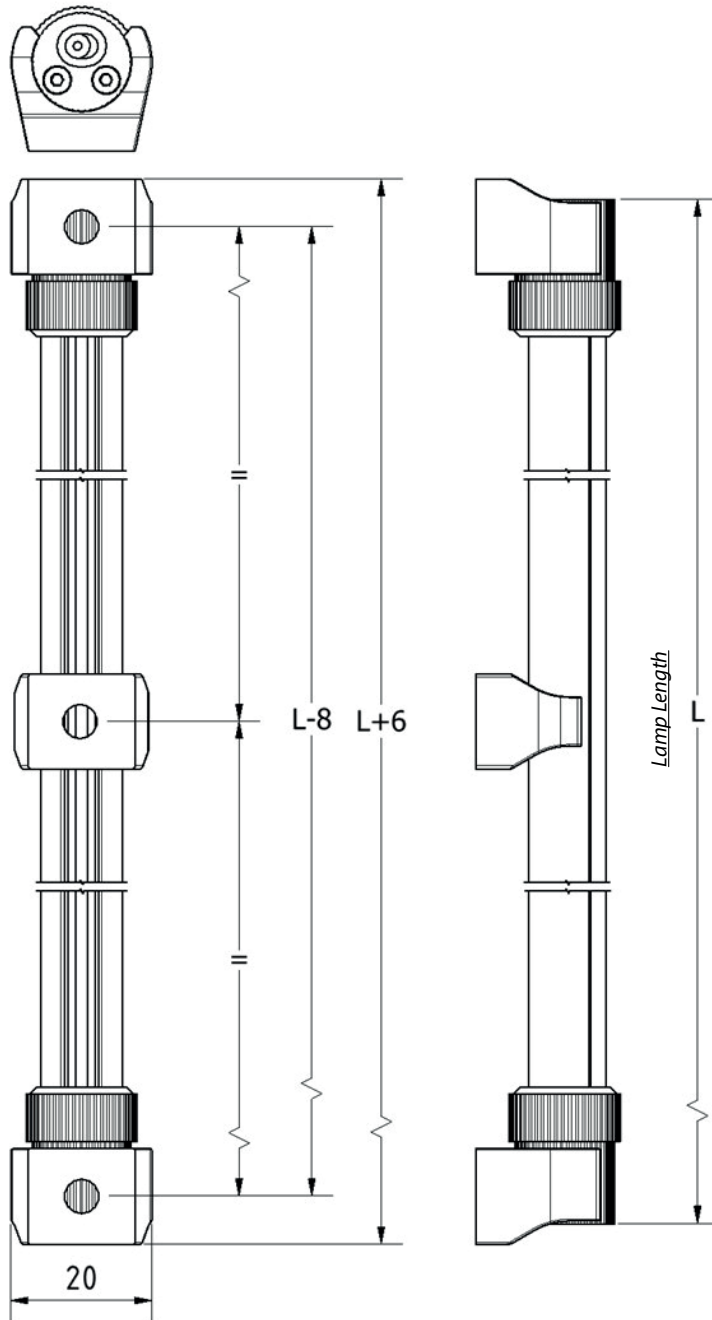
Right



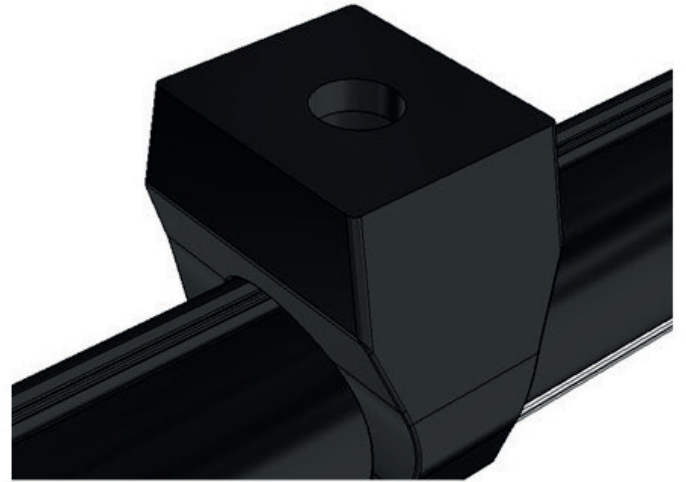
GLL LED Component

Assembly Dimensions and Accessories

Lamp Length mm
250
320
390
460
530
600
670
740
810
880
950
1020
1090
1160
1230
1300
1370
1440
1510
1580



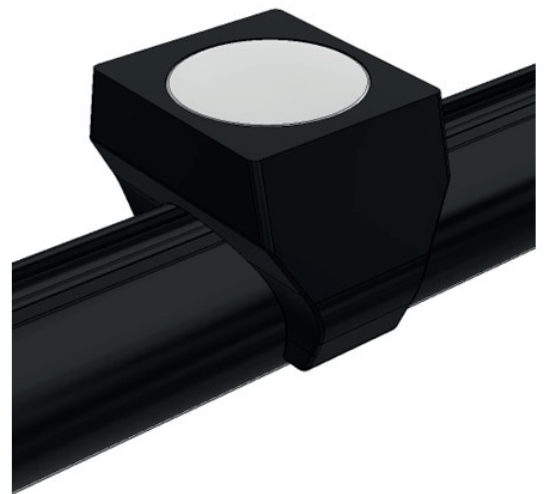
Screwed Connections



Easy magnetic attachment
for metal surfaces



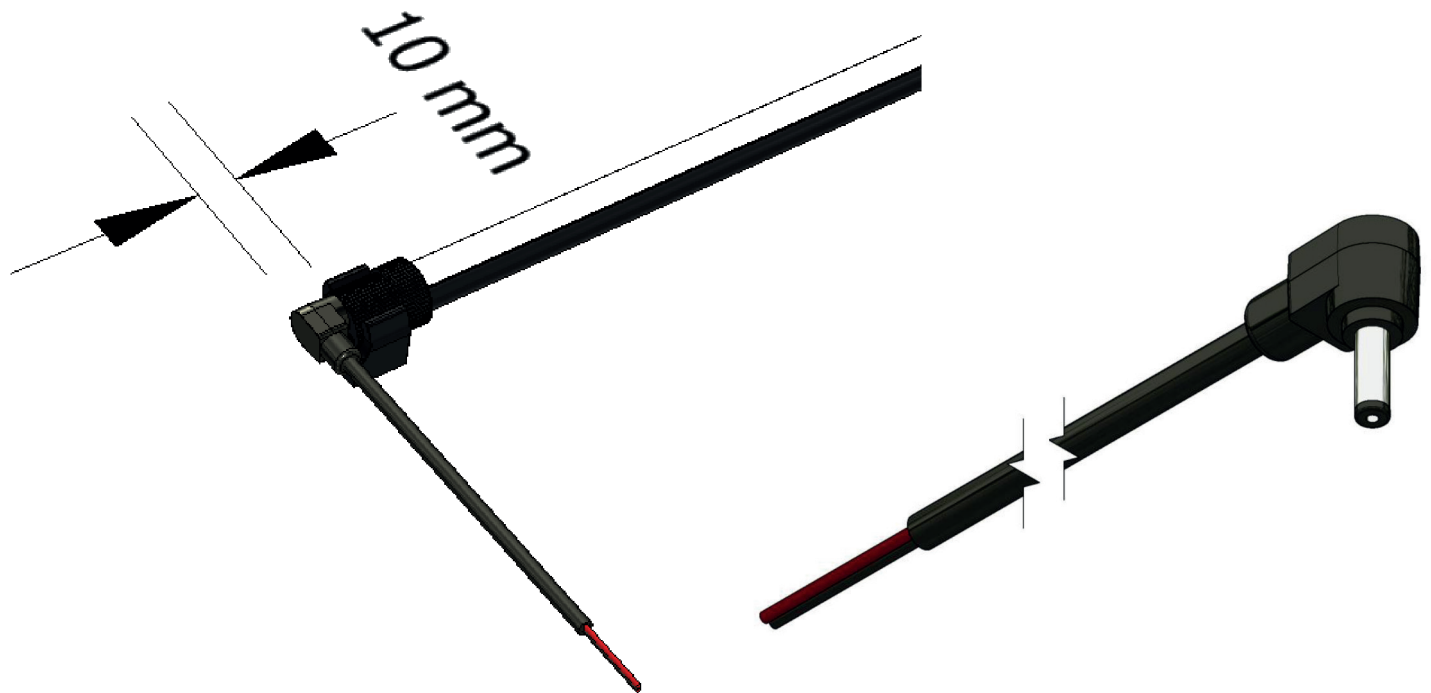
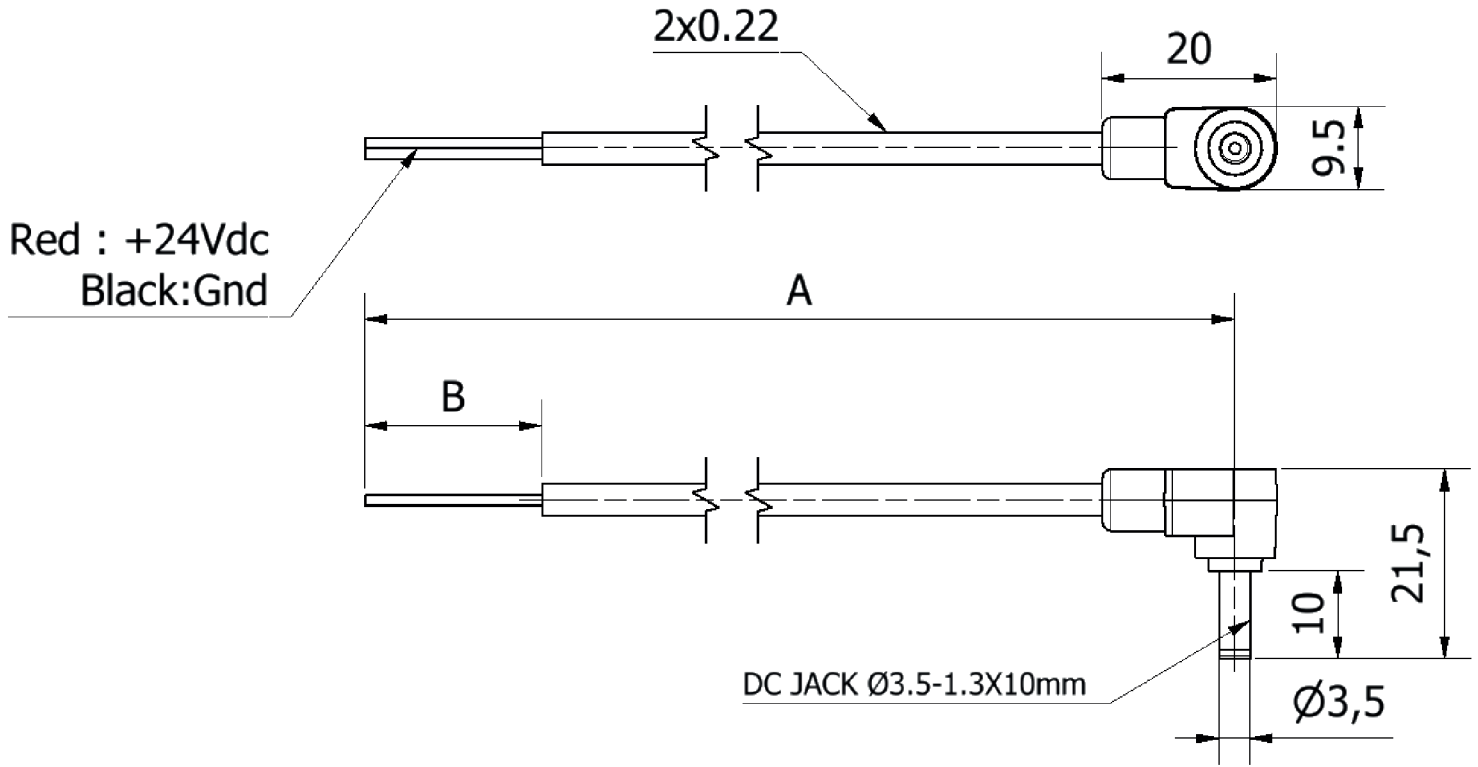
Middle support for long lamps



GMC-90

Cable Accessories

Product Code	A mm	B mm
GMC-90-3000-20	3000	20
GMC-90-2000-20	2000	20
GMC-90-1000-20	1000	20
GMC-90-A-B	Custom	Custom

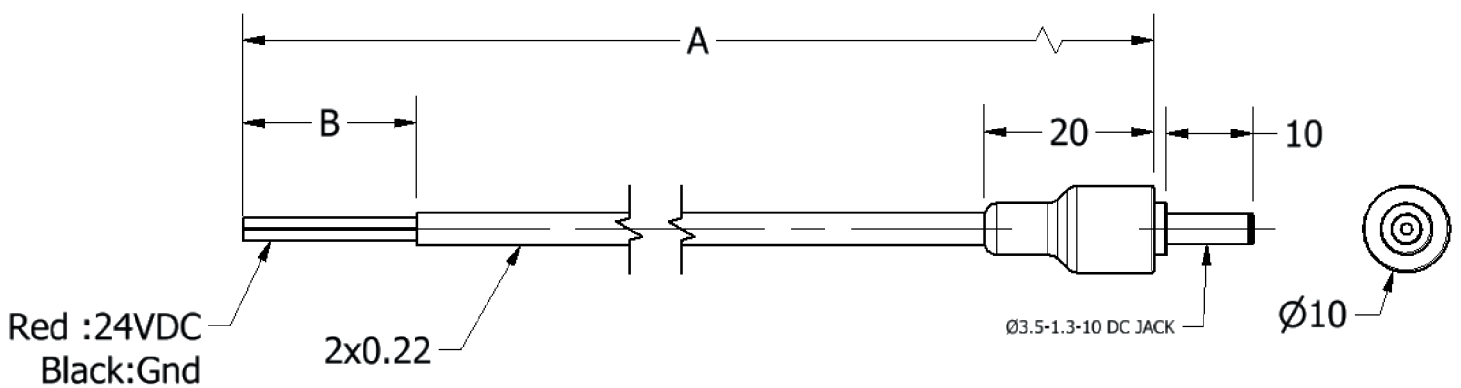
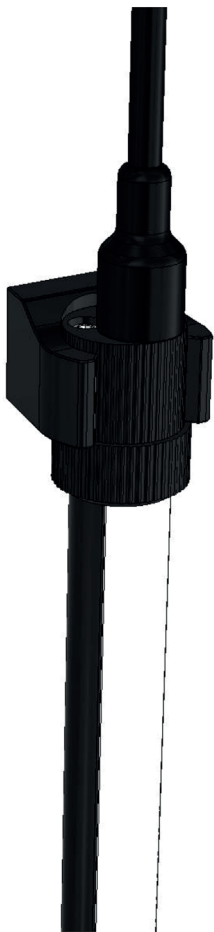


GMC-0

Cable Accessories

Product Code	A mm	B mm
GMC-0-3000-20	3000	20
GMC-00-2000-20	2000	20
GMC-0-1000-20	1000	20
GMC-0-A-B	Custom	Custom

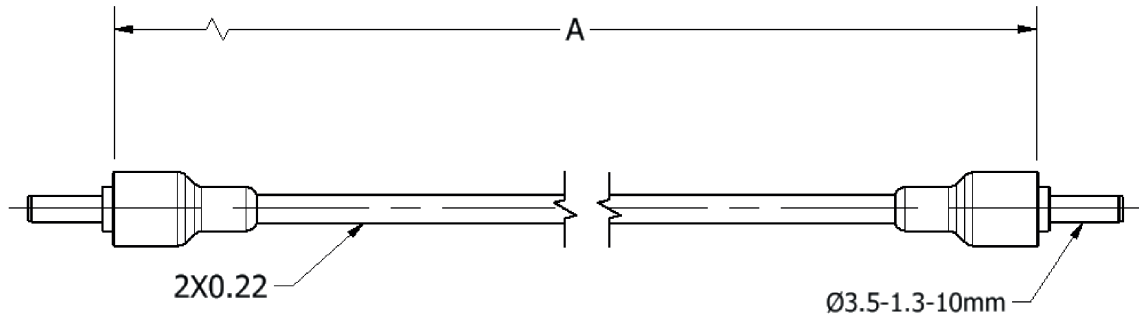
Suitable for Vertical Lighting



GCJ-0

Cable Jumper

Product Code	A mm
GCJ-0-120	120
GCJ-0-80	80
GCJ-0-A	Custom

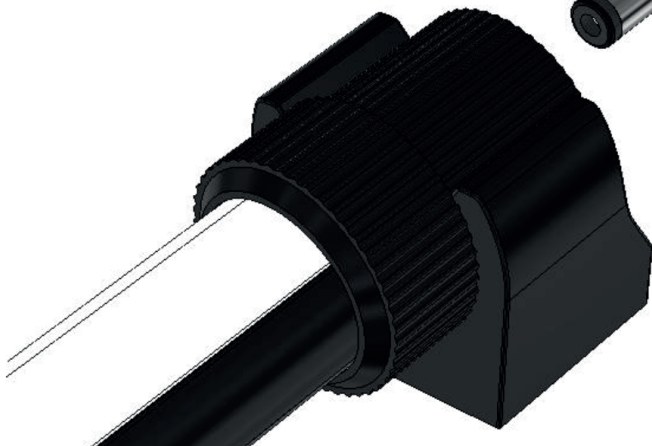
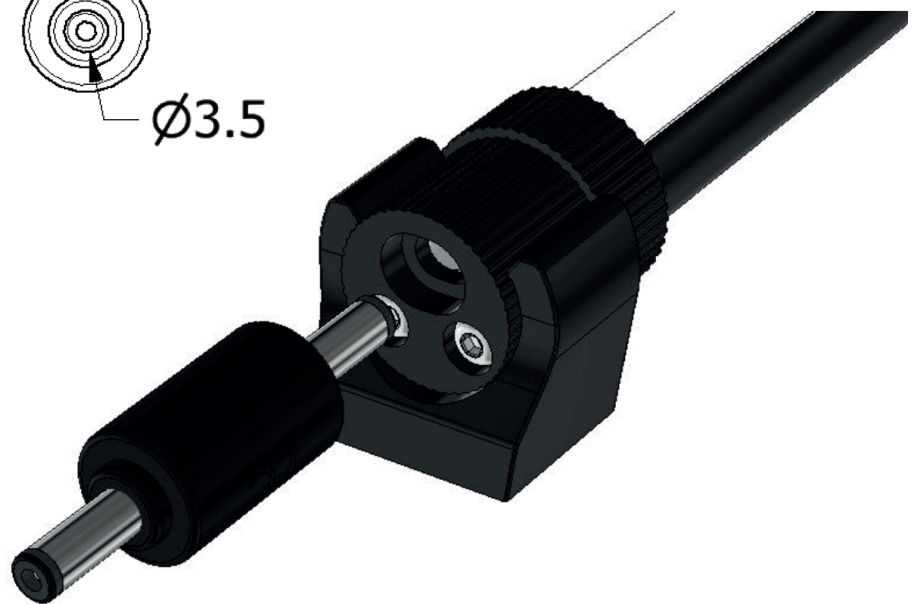
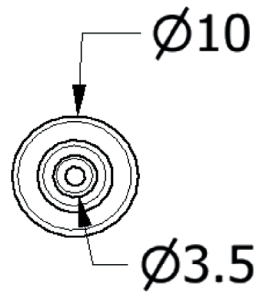
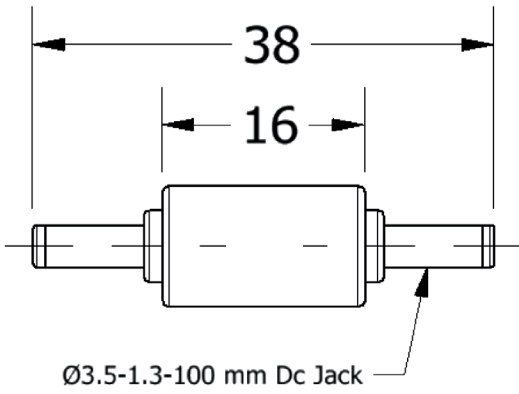
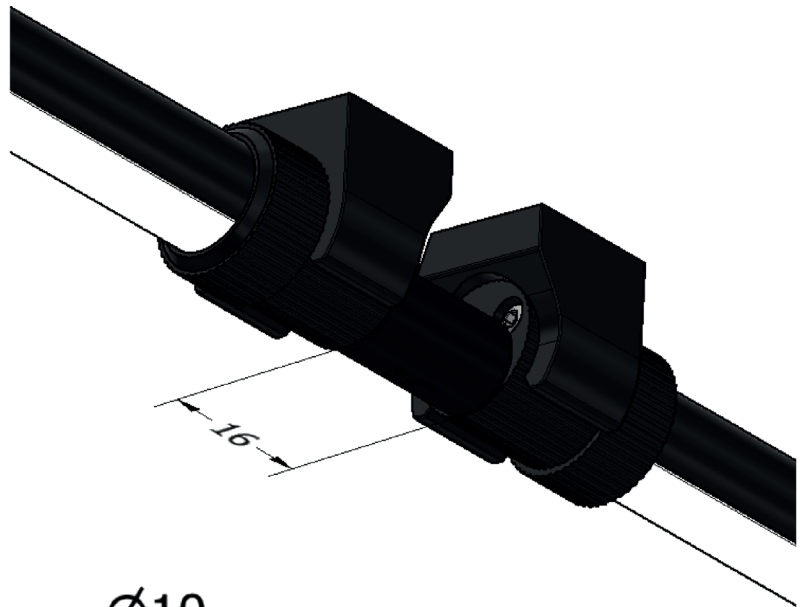
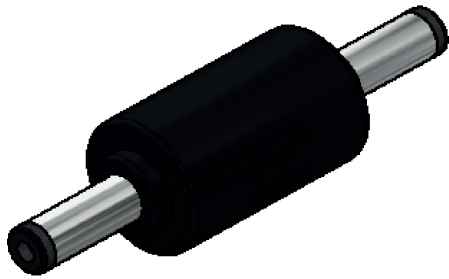


Illuminate Your Sales.

Flawless Distribution That
Highlights the Product.

GCJ-0-0

Solid Jumper



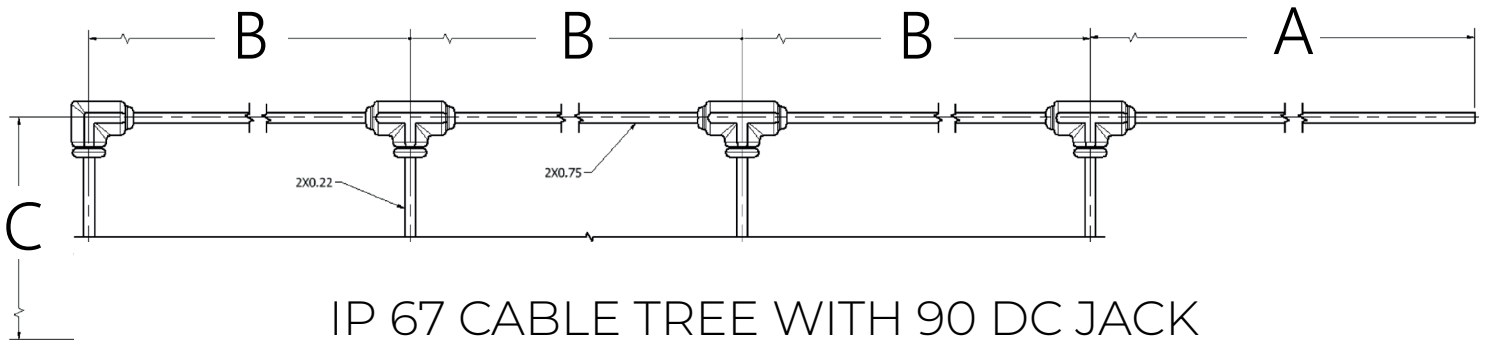
GDC-90

CABLE TREE WITH 90° DC JACK

Suitable for under shelf
and canopy lighting



PROTECTION



IP 67 CABLE TREE WITH 90 DC JACK

SUITABLE FOR UNDER SHELF AND CANOPY LIGHTING

03.5-1.3-

PRODUCT CODE	APPLICATION	A (mm)	NUMBER OF BRANCH	B (mm)	C (mm)
GDC-90-3000-6-450-750	6 ROW SHELF	3000	6	450	750
GDC-90-3000-5-450-750	5 ROW SHELF	3000	5	450	750
GDC-90-3000-4-450-750	4 ROW SHELF	3000	6	450	750
GDC-90-3000-3-450-750	3 ROW SHELF	3000	3	450	750
GDC-90-3000-2-450-750	2 ROW SHELF	3000	2	450	750
GDC-90-4000-2-1000-150	CANOPY 1875	4000	2	1000	150
GDC-90-4000-2-1300-150	CANOPY 2500	4000	2	1300	150
GDC-90-4000-3-1300-150	CANOPY 3750	4000	3	1300	150
GDC-90-A-N-B-C	CUSTOM	A	N	B	C



FACTORY BRANCH

T: +90 282 746 13 50

F: +90 282 746 13 55

GLOBAL LTD.

Veliköy OSB 6. Cad. No:13/1
Çerkezköy 69500 Tekirdağ/Türkiye

ggsindustry.com

T: +90 212 671 43 43

F: +90 212 671 43 46

GLOBAL LTD.

İ.O.S.B. Eskoop San. Sit. A3 Blok No:144
Başakşehir 34306 İstanbul/Türkiye

ggsindustry.com